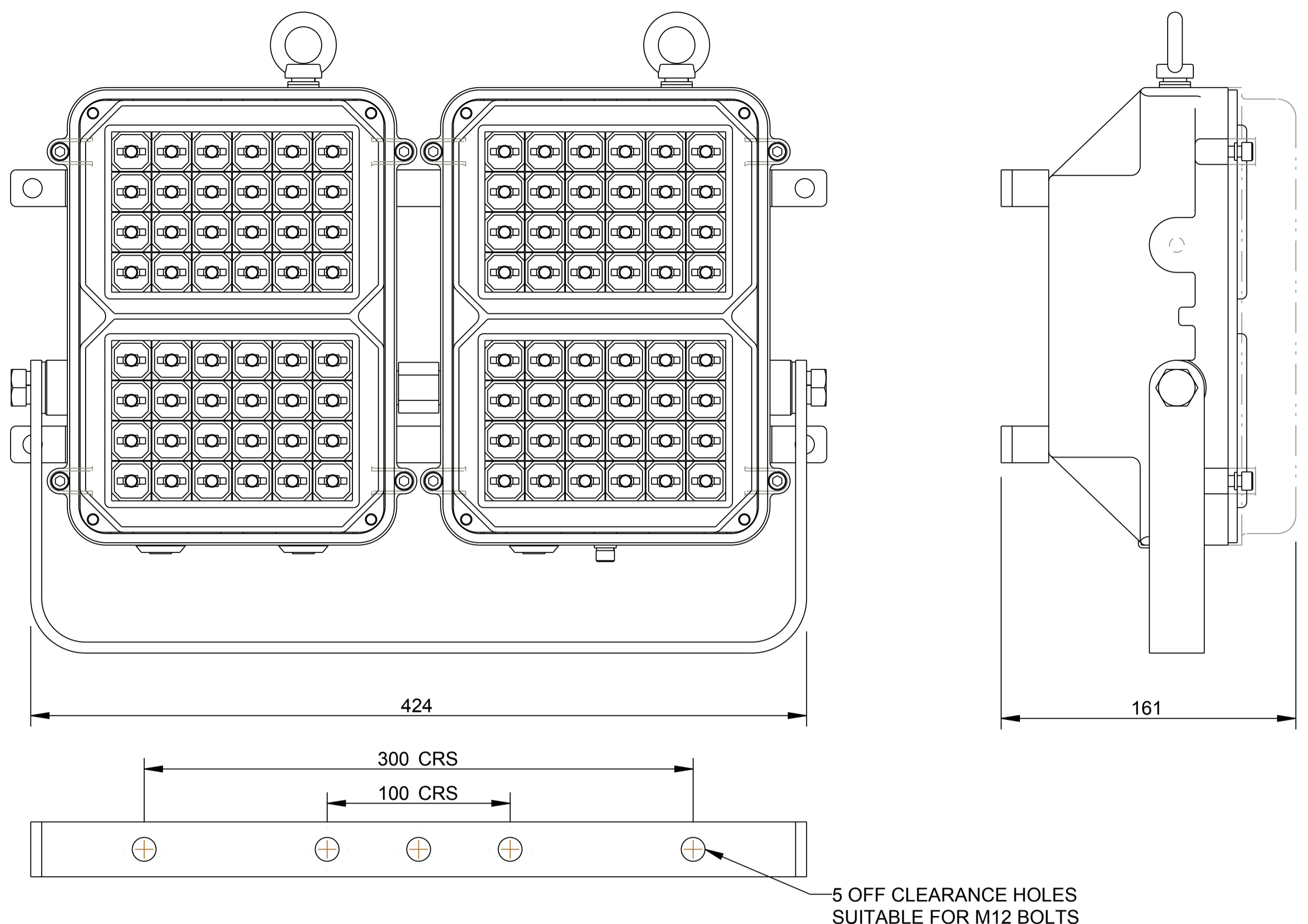
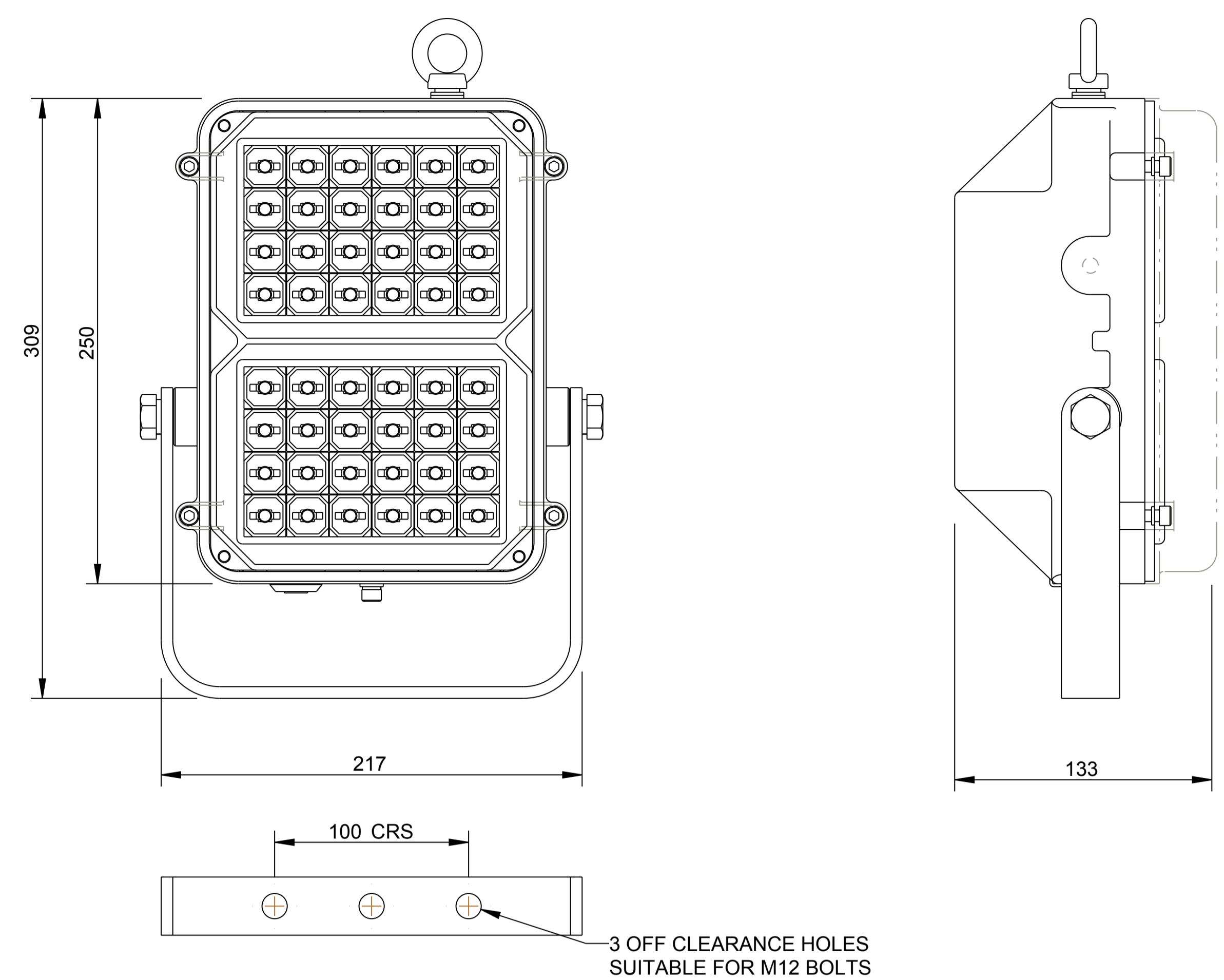


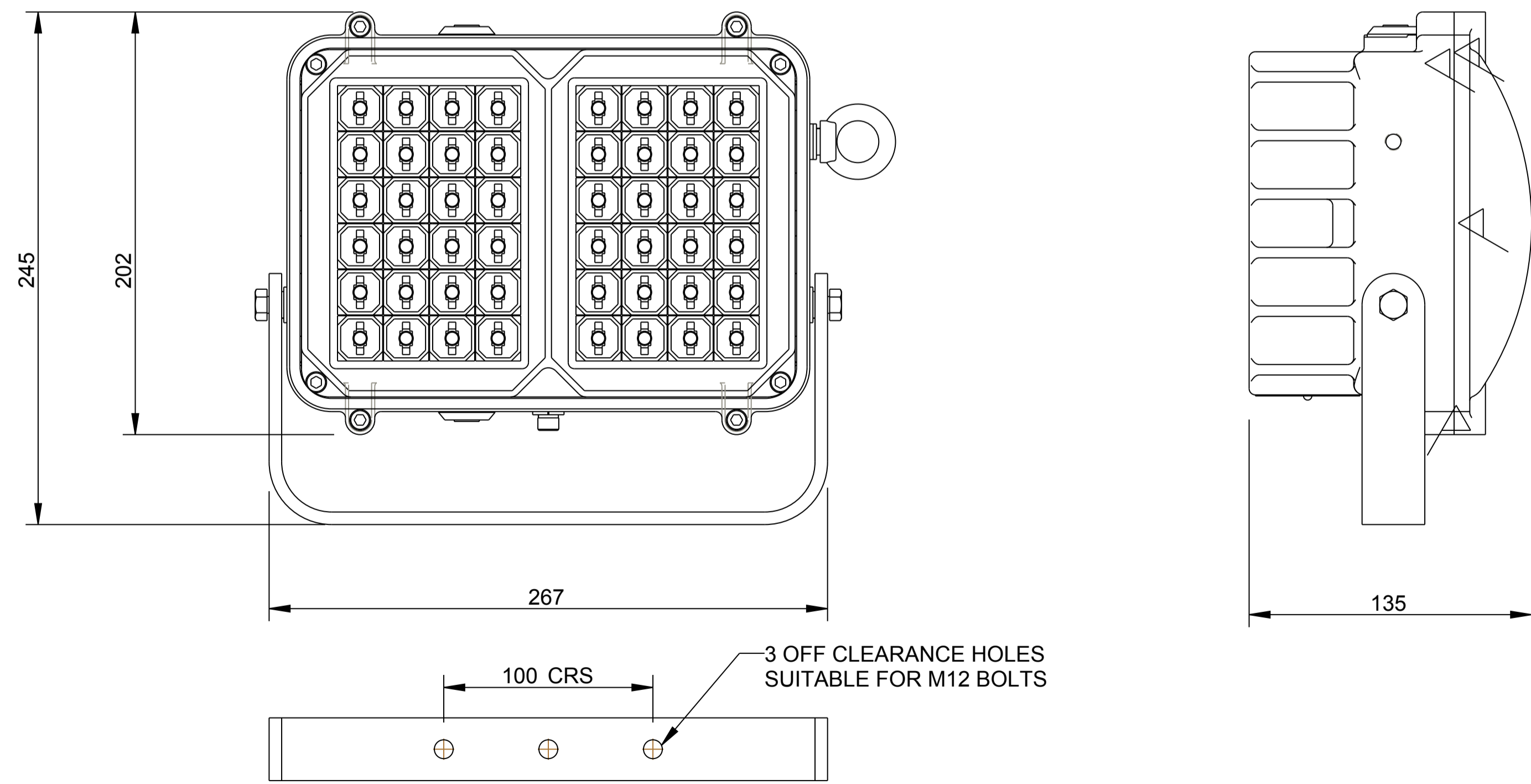
### VERTICAL MOUNT - MULIPLE UNITS



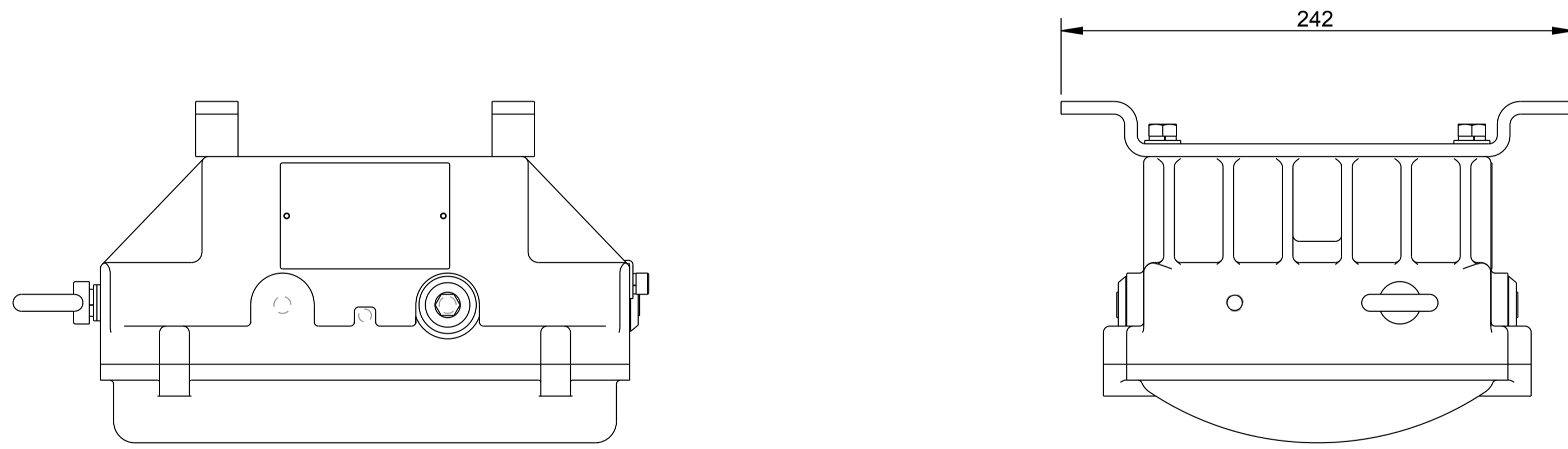
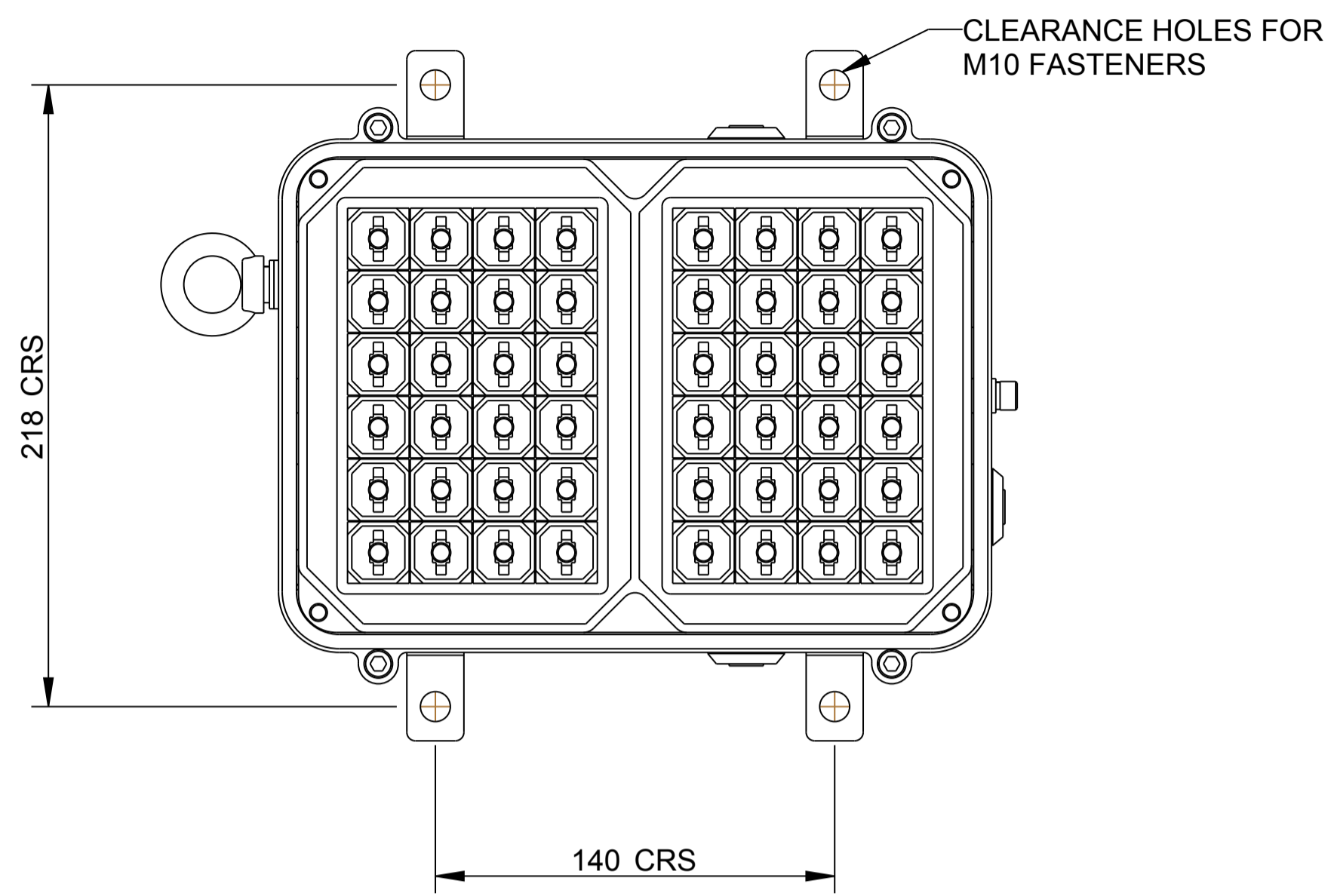
### VERTICAL MOUNT - SINGLE UNITS



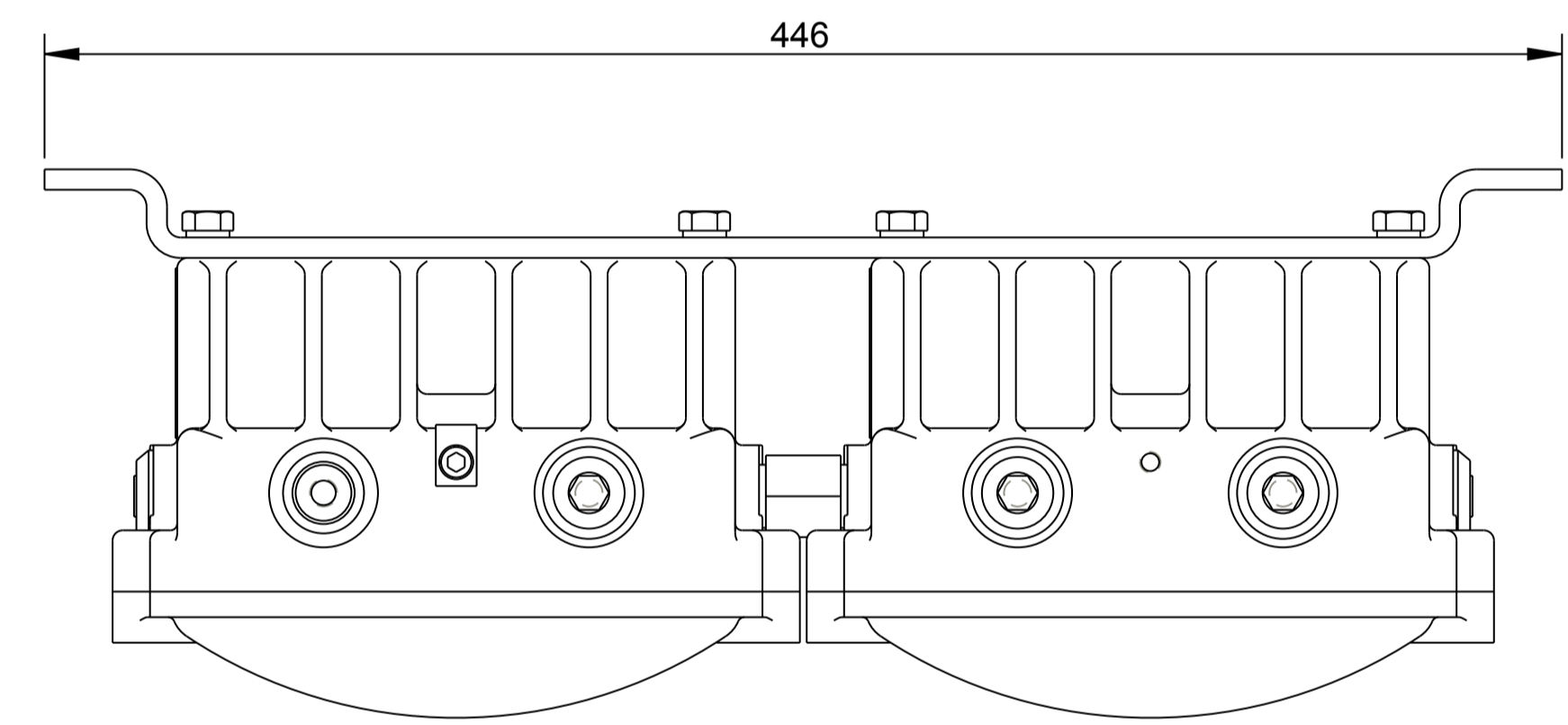
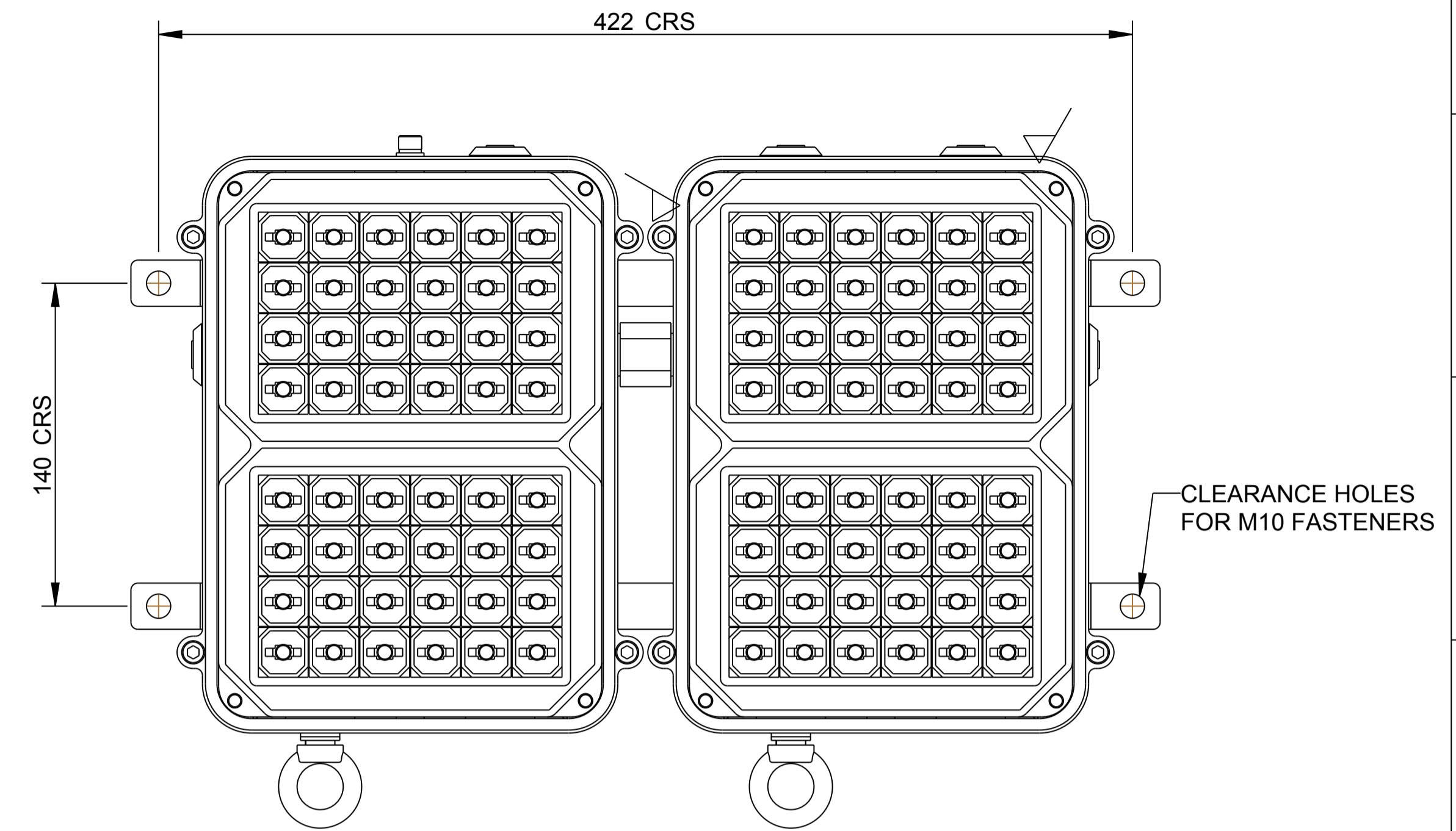
### HORIZONTAL MOUNT - SINGLE UNITS



ANGULAR TOLERANCES ±#/2° DIMENSIONAL TOLERANCES UNLESS OTHERWISE STATED UPTO 6 ±# 0.1 OVER 6 UPTO 30 ±# 0.2 OVER 30 UPTO 100 ±# 0.3 OVER 100 UPTO 300 ±# 0.5 OVER 300 ±# 0.8	CERTIFICATE RELATED DRAWING	TEST SHEET	CERT DRG
	NO MODIFICATIONS ALLOWED WITHOUT THE APPROVAL OF THE ENGINEERING DIRECTOR	N/A	---
	DO NOT SCALE	DRAWN & CHECKED	BT
		DATE	6/5/10
SCALE		0.500	
MOUNTING OPTIONS - HDL106		DRAWING No.	ISSUE No.
JUBILEE INDUSTRIAL ESTATE ASHINGTON NORTHUMBERLAND NE63 8UG UNITED KINGDOM		SHEET 1 OF 3	1
		ALP0019	



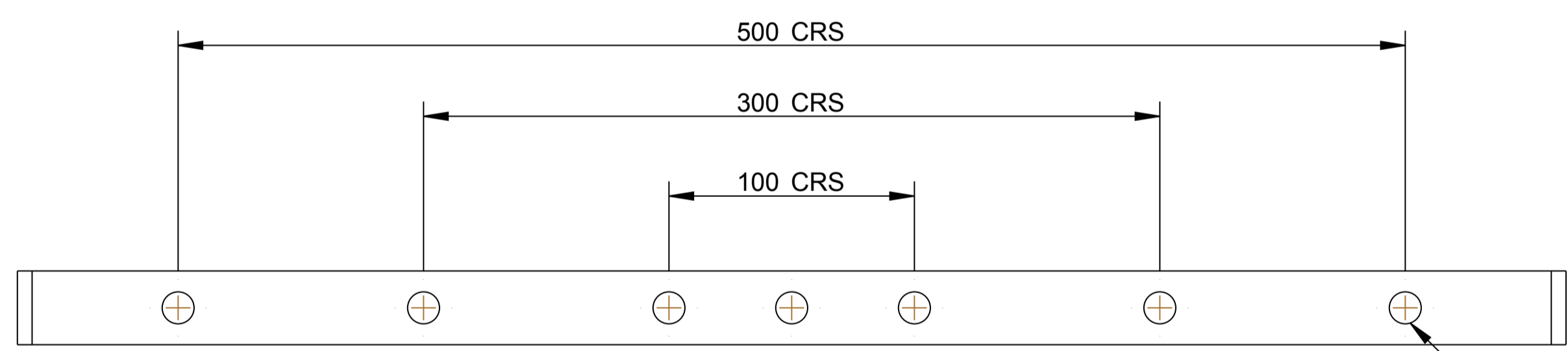
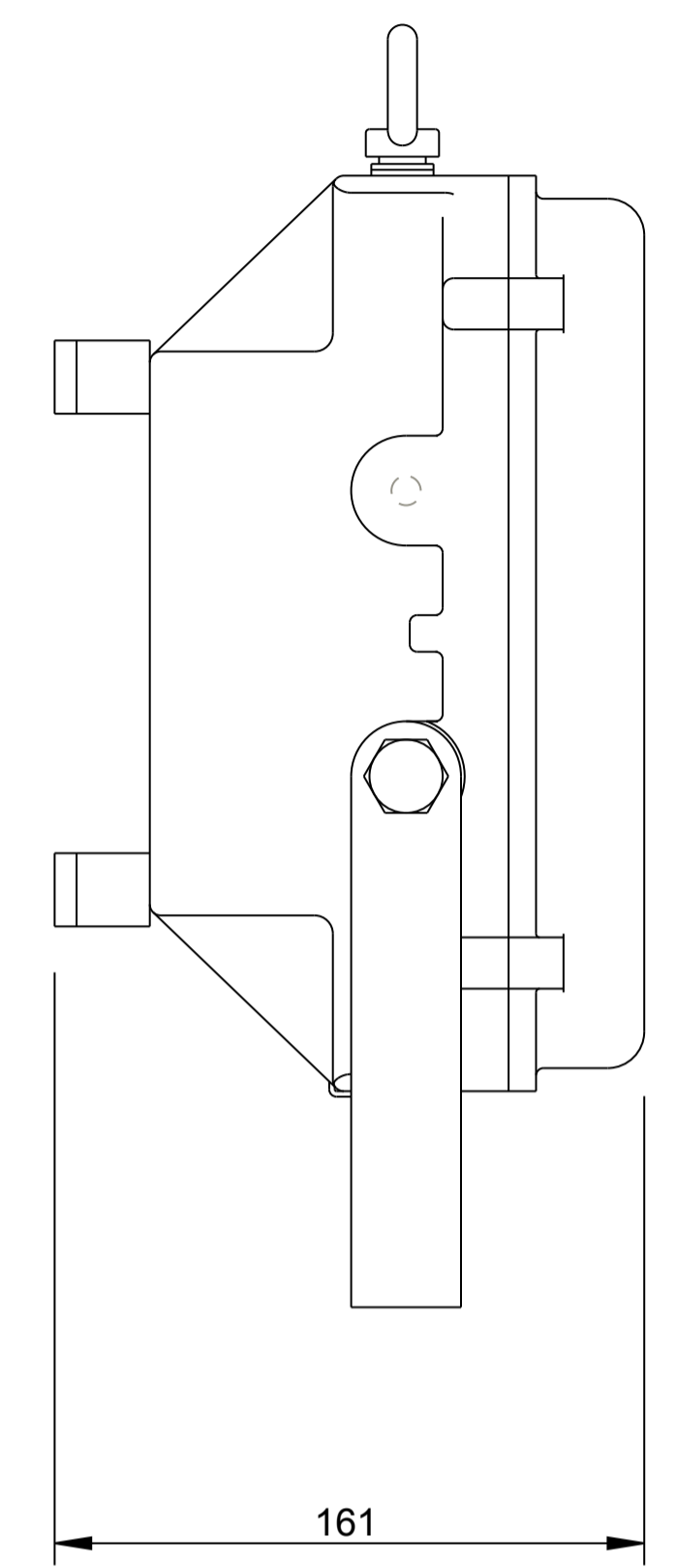
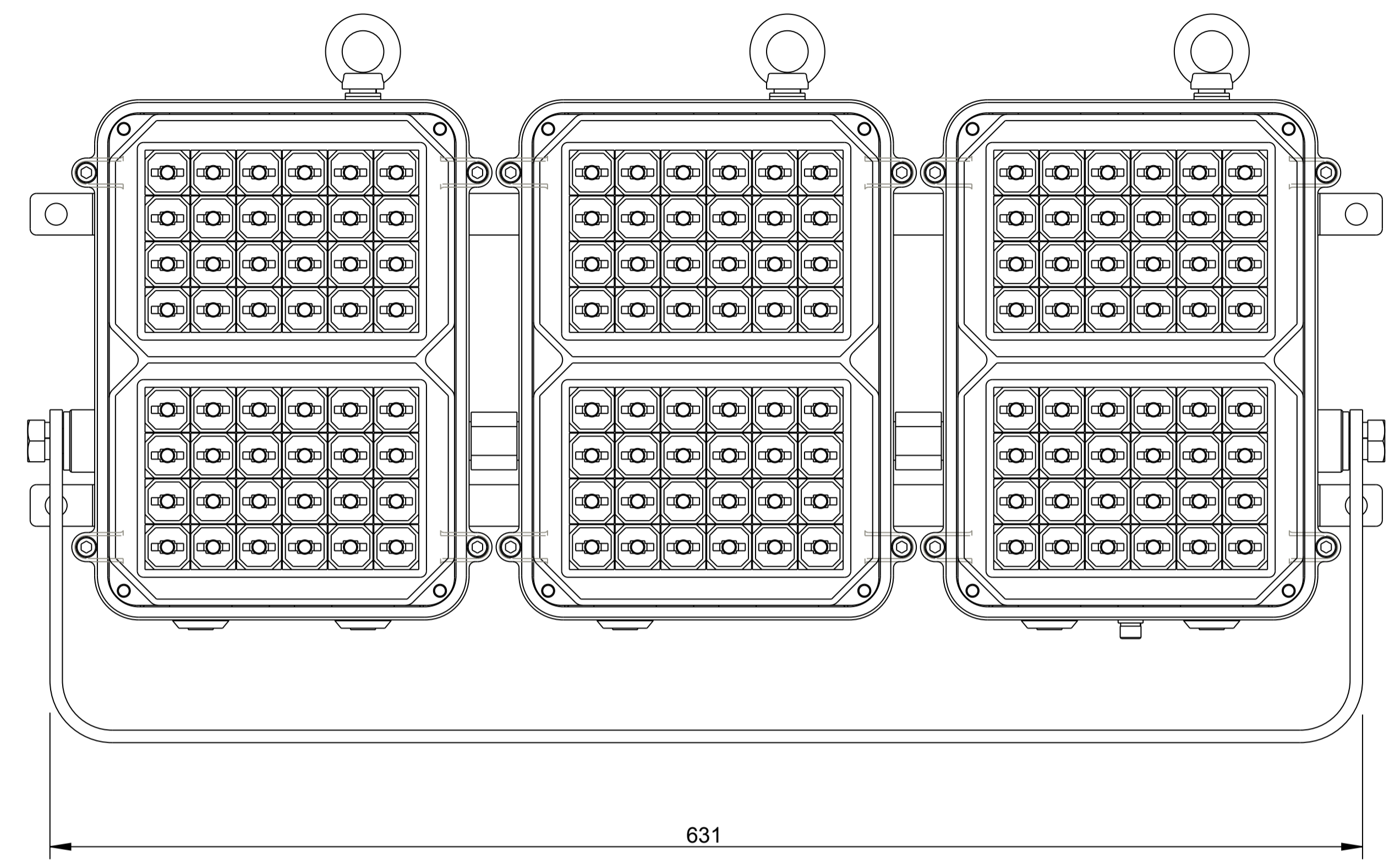
CEILING MOUNT - SINGLE UNIT




CEILING MOUNT - MULIPLE UNITS

ANGULAR TOLERANCES ±#/2° DIMENSIONAL TOLERANCES UNLESS OTHERWISE STATED UPTO 6 ±# 0.1 OVER 6 UPTO 30 ±# 0.2 OVER 30 UPTO 100 ±# 0.3 OVER 100 UPTO 300 ±# 0.5 OVER 300 ±# 0.8	CERTIFICATE RELATED DRAWING NO MODIFICATIONS ALLOWED WITHOUT THE APPROVAL OF THE ENGINEERING DIRECTOR	TEST SHEET N/A	CERT DRG ---
	DO NOT SCALE	DRAWN & CHECKED BT	DATE 6/5/10
		SCALE 0.500	
MOUNTING OPTIONS - HDL106		DRAWING No. SHEET 2 OF 3	ISSUE No. 1
JUBILEE INDUSTRIAL ESTATE ASHINGTON NORTHUMBERLAND NE63 8UG UNITED KINGDOM		ALP0019	

# VRTICAL MOUNT - 3 LAMP UNITS



7 OFF CLEARANCE HOLES  
SUITABLE FOR M12 BOLTS

ANGULAR TOLERANCES $\pm \#/2^\circ$ DIMENSIONAL TOLERANCES UNLESS OTHERWISE STATED UPTO 6 $\pm \#$ 0.1 OVER 6 UPTO 30 $\pm \#$ 0.2 OVER 30 UPTO 100 $\pm \#$ 0.3 OVER 100 UPTO 300 $\pm \#$ 0.5 OVER 300 $\pm \#$ 0.8	CERTIFICATE RELATED DRAWING NO MODIFICATIONS ALLOWED WITHOUT THE APPROVAL OF THE ENGINEERING DIRECTOR	TEST SHEET <b>N/A</b>	CERT DRG ---
	<b>DO NOT SCALE</b>	DRAWN & CHECKED XX	DATE 00/00/00
		SCALE 0.500	
	MOUNTING OPTIONS - HDL106  JUBILEE INDUSTRIAL ESTATE ASHINGTON NORTHUMBERLAND NE63 8UG UNITED KINGDOM		DRAWING No. SHEET 3 OF 3 ALP0019