

LED Luminaire

HDL 103

Zone 1 Ex emb LED Helideck / Obstruction / Bulkhead Luminaire



Specification:

Main Body:

Marine Grade Aluminium

Clear Lens:

Polycarbonate

Gaskets:

Silicone/Rubber

External Fasteners:

A4 Stainless Steel

T Rating:

T5

Weight:

3.0kg

Key Features:

- Available in Green (Helidecks), Red (Obstruction) or White (general lighting) other colours also available.
- Customer can select constant light output or flashing upon installation.
- Conforms to ICAO annex 14 volume II and CAP437 for Helideck perimeter lighting and CAP168 for Obstruction lighting.
- LED technology will give a predicted working life of 10 years +.
- Utilises 6 off 1.2W LEDs.
- Low power consumption.
- Easy installation and low maintenance.
- Rugged construction – resistant to vibration.
- Instant light output.
- 360° coverage.
- Independently photometrically tested.
- All units supplied with 3 cable entries.
- IP66 and IP67
- Optional wire guard available for extra protection.
- Can be supplied in traffic light or stop/start assemblies - see HDL153 data sheet.

Engineering Solutions
Design to Manufacture

HADAR 
LIGHTING

Hadar Lighting, Jubilee Industrial Estate, Ashington
Northumberland, NE63 8UG United Kingdom

T: +44 (0) 1670 814 877
F: +44 (0) 1670 858 638

enquiries@hadar-lighting.co.uk

www.hadar-lighting.co.uk

Protection:

II 2GD Ex emb IIC T5 IP66/67, Ex tIIIC T68°C Db

Certification: ATEX & IEC Ex and ABS certified.

	Certification	Ambient	Voltage Range	Certificate
HDL 103	II 2GD Ex emb IIC T5 IP66/67, Ex tIIIC T68°C Db	All variants -20°C to +55°C	110V to 254V AC 24V AC/DC	IEC Ex SIR09.0065X SIRA09ATEX5160X ABS 12LD818639-PDA

Electrical Specifications:

Electrical Specification			
Lamp Options	Power consumption	Power factor	Power supply
6 x 1.2W LEDs	12W Max	0.95	110V – 254V 47/63Hz AC or 24V AC/DC

Installation:

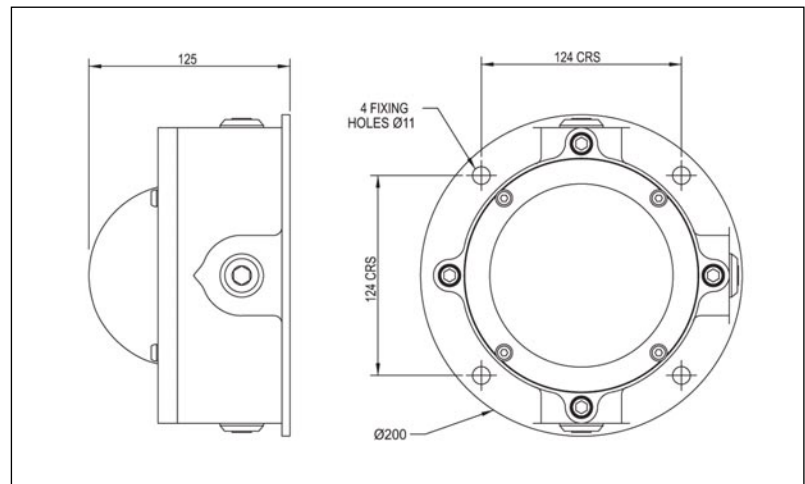
Terminals: Up to 4mm² screwed terminals for live, neutral, earth and looping are provided. Internal and external earth is standard.
Cable Entries: 3 x M20, two fitted with approved stopper plug, other entries available on request.
Suspension: Via 4 external mounting points.
Installation: Installation document AL10557 supplied.

Ordering Matrix:

Field	Options
Product	HDL103
Voltage	H – 100-254V AC L – 24V AC/DC
Version*	G – Green LED'S R – Red LED'S W – White LED'S
Fittings	0 – No wire guard 1 – Wire guard fitted
Cable Entries	0 – M20 5 – M25
Other Options	00 – Standard

*Other colour options available

Dimensions:



Notes:

- 1) Typical ordering reference HDL103HG0000.
- 2) Photometric Data available from the website or contact sales office.

