

Fluorescent Luminaire

HDL 220

Zone 2 EEx nA Fluorescent Luminaire – Standard or Emergency Fluorescent

Specification:

Enclosure:

Corrosion resistant Glass reinforced Polyester

Diffuser:

High Impact Polycarbonate

Retaining Clips:

Stainless Steel

Gear Tray:

Mild Steel Painted

Control Gear:

High Frequency Electronic

T Rating:

T4 Gas and Dust

58W also available in T3

Key Features:

- The Zone 2 EEx nA Fluorescent Luminaire is designed from a high specification of corrosion resistant glass, reinforced polyester body and high impact polycarbonate diffuser to give the highest protection to ATEX standards for EEx nA applications.
- The luminaire features stainless steel diffuser retaining clips and zinc steel gear tray for rapid installation and easy maintenance.
- 18W, 36W, 58W, Single or Twin
- High specification.
- Sira certified.
- Rapid installation.
- Ease of maintenance.
- High Frequency Electronic Ballast.
- High Impact GRP Base.
- High Impact Polycarbonate Diffuser.
- Loop In / Loop Out as standard.
- Through wired versions available.
- Low Smoke Zero Halogen option.
- IP65
- Emergency version available - 3 hour duration (available in twin variants only).

Engineering Solutions
Design to Manufacture

HADAR
LIGHTING 

Hadar Lighting, Jubilee Industrial Estate, Ashington
Northumberland, NE63 8UG United Kingdom

T: +44 (0) 1670 814 877
F: +44 (0) 1670 858 638

enquiries@hadar-lighting.co.uk

www.hadar-lighting.co.uk

Protection:

Ex II 3GD EEx nA II T3/T4 IP66 T140°C

Certification: ATEX Certified by SIRA

	Certification	Ambient	Voltage Range	Certificate
HDL 220	Standard Ex II 3GD EEx nA II T3/T4 IP65 T135°C/T140°C	Standard Range 18W -20°C to +40°C T4 36W -20°C to +40°C T4 58W -20°C to +50°C T3 +40°C T4	220V – 240V	SIRA 03ATEX 4566X
	Emergency EEx nC IIC T3/T4 IP65 T135°C/T140°C	Emergency Range 18W -15°C to +40°C T4 36W -15°C to +40°C T4 58W -15°C to +50°C T4		

Emergency Version: Twin units only, 3 hour battery duration

Electrical Specifications:

Electrical Specification			
Lamp Options	Power consumption	Power factor	Power supply
1 x 18W (600mm Luminaire)	20W	Better than 0.95	220V – 240V, 47/63 Hz AC/DC Emergency version AC only
1 x 36W (1200mm Luminaire)	38W		
1 x 58W (1500mm Luminaire)	60W		
2 x 18W (600mm Luminaire)	39W (Emergency – 49W)		
2 x 36W (1200mm Luminaire)	73W (Emergency – 83W)		
2 x 58W (1500mm Luminaire)	113W (Emergency – 132W)		

Installation:

Terminals: Suitable for up to 4.00mm² cable. 6.00mm² on request.

Cable Entries: 20mm clearance holes.

Suspension: Fixing centres - see below (optional stainless steel brackets available).

Installation: Through Wiring available (loop In/loop Out as standard) Low smoke zero halogen option available.


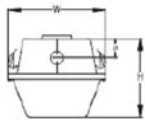
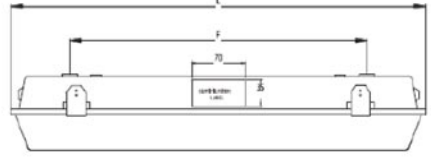
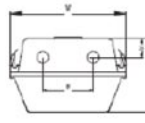
Ordering Matrix:

Field	Options
Product	HDL220
Version	S – Non Emergency E - Emergency
Fittings	L – Loop In/Loop Out T – Through Wired
Lamp Options	118 – 1 x 18W 136 – 1 x 36W 158 – 1 x 58W 218 – 2 x 18W 236 – 2 x 36W 258 – 2 x 58W

Accessories:

Stainless steel suspension brackets (2 per luminaire)
AL10559 Twin
AL10559A Single

Dimensions:

					
					
	L	W	H	F	C
1 x 18W Luminaires	702	116	114	500	480 x 2 clips per side
1 x 36W Luminaires	1312	116	114	800	400 x 4 clips per side
1 x 58W Luminaires	1612	116	114	1100	380 x 5 clips per side
2 x 18W Luminaires	702	186	114	500	480 x 2 clips per side
2 x 36W Luminaires	1312	186	114	800	400 x 4 clips per side
2 x 58W Luminaires	1612	186	114	1100	380 x 5 clips per side

Notes:

- 1) Final Product Code should be in the format: HDL220SL118
- 2) Photometric Data available from the website or contact sales office.
- 3) For weight please contact the sales office.

