

Floodlight

Industrial Floodlight

HDN 227



Specification:

Body:

Painted Marine Grade Aluminium Alloy

Front:

Hinged Front Cover

Diffuser:

Toughened Glass 4mm

Reflector:

Symmetrical Dimpled Anodised Polished Aluminium

Stirrup Bracket:

Painted Steel

Key Features:

- The HDN 227 marine grade aluminium alloy floodlight with high performance photometrics is designed to withstand highly corrosive environments.
- The HDN 227 floodlight is constructed from a compact and lightweight design and is suitable for use with 150W, 250W and 400W high pressure sodium or metal halide lamps.
- High performance photometrics
- Lightweight design.
- High pressure sodium/metal halide.
- Marine Grade Alloy Body.
- Hinged Front Cover.
- Toughened Glass.
- Compact & Lightweight Design.
- Loop-In and Loop-Out as standard.
- Stirrup Bracket, Painted Steel.
- All external fasteners stainless steel.
- IP66

Engineering Solutions
Design to Manufacture

HADAR
LIGHTING

Hadar Lighting, Jubilee Industrial Estate, Ashington
Northumberland, NE63 8UG United Kingdom

T: +44 (0) 1670 814 877
F: +44 (0) 1670 858 638

enquiries@hadar-lighting.co.uk

www.hadar-lighting.co.uk

Protection:

IP66

Electrical Specifications:

	Ambient	Voltage Range
HDN 227	-40°C to +45°C	220/230/240V

Electrical Specification			
Lamp Options	Power consumption	Power factor	Power supply
150W	168W	Better than 0.95	220/230/240 50Hz and 60 Hz Other voltages and frequencies available on request
250W	280W		
400W	433W		

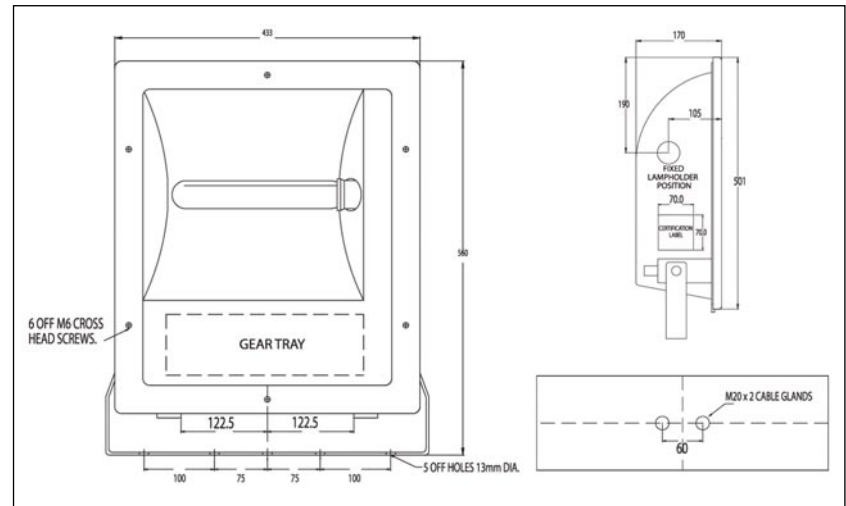
Installation:

Terminals: Suitable for up to 4.00mm² cable.
Cable Entries: 2 x M20 (other cable entries available upon request).
Suspension: See dimensional diagram.

Ordering Matrix:

Field	Options
Product	HDN 227S
Voltage	22 – 220V 23 – 230V 24 – 240V
Frequency	5 – 50Hz 6 – 60Hz
Cable Entries	00 – 2 x M20 05 – 2 x M25
Lamp Options	150 – 150W 250 – 250W 400 – 400W
Options	H – MBI Metal Halide E – SON High Pressure Sodium

Dimensions:



Notes:

- 1) Final Product Code should be in the format: HDN227S22500250E
- 2) Photometric Data available from the website or contact sales office.

